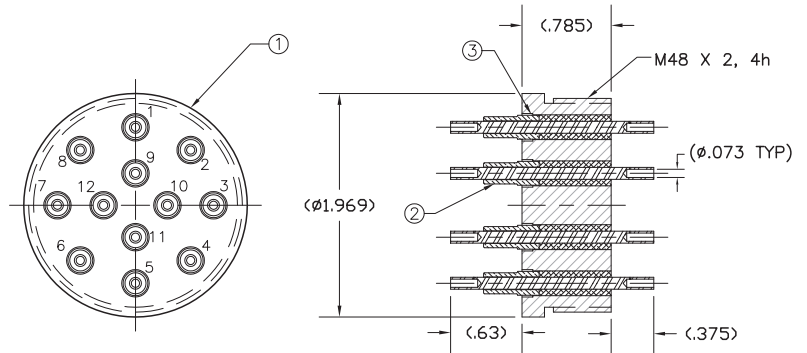


Glass Sealed Penetrators Subsea Series

General Description and Advantages

- Design Life 25 Years
- 316SS Standard, Inconel, Ti Gr 2, 5 Available
- Seals at All Points of Seawater Entry
- Full Pressure Barrier Between 1ATM Housing and High Pressure Environment
- Fully Modular Design
- Ceramic Insulator for Boot Seal, Epoxy and Brazed (Supports Welded in Penetrators) Versions



- Hermetic Seal
- Glass Sealed and PEEK Options (PEEK Versions for HV Applications)
- For Use in Sensors, Control Modules and Pressure Vessels
- Hybrid Electrical/Optical Versions Available

Design Parameters	Materials and Performance
	Electric/Fiber Optic
Material Specification	316SS Nominal, Inconel, Ti Available
Design Life	25 Years
Number of Circuits	1-121
Typical Awg	20, 18, 16, 12, 10, 6, 4
Typical Test Voltage 1,500VDC	1,500 VDC
IR	10G Ohm
Helium Leak	$\leq 10^{-8}$ scc/sec
Design Water Depth	3000m
Test Pressure	4500m
Environmental Operating Temp in Air/Water	-5°C to +40°C
Equipment Storage Temperature	-25°C to +50°C
Insertion Loss (IL)	Less than 0.1dB @ 1310/1550nm
Back Reflection (BR)	Greater than -55dB @ 1310/1550nm