

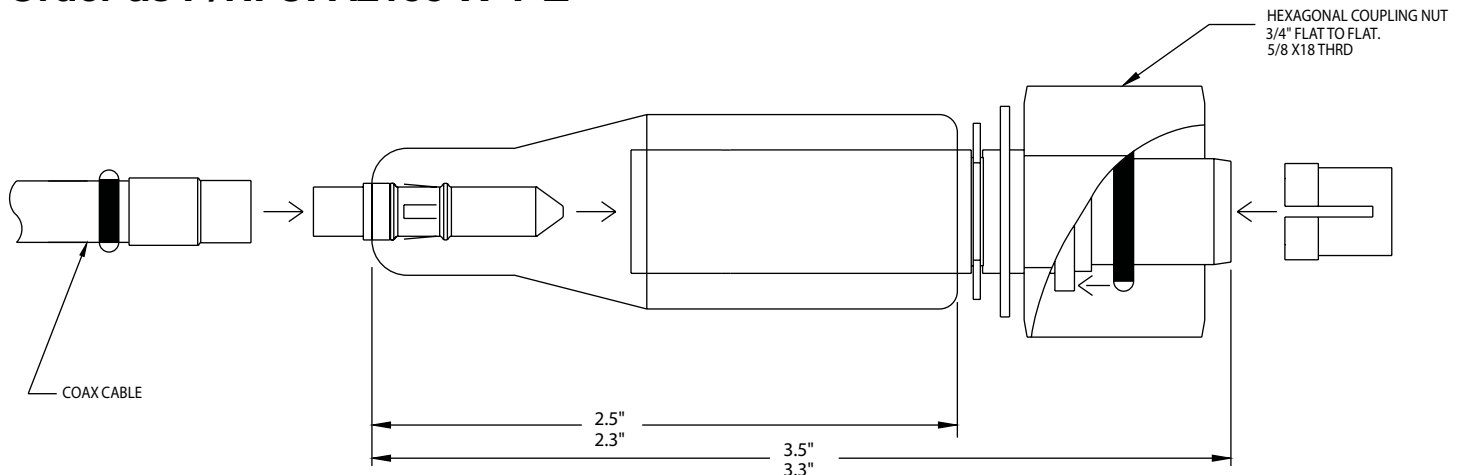
## In-line Overmold Plug CPA2155

In-line Overmold Plug CPA2155 was developed for military and commercial customers in response to the need for a highly robust and reliable underwater coax connection. When mated to any standard coax receptacle, the mated interface withstands pressures up to 10,000 psi. CPA2155 is available in kit form, or as an overmolded cable assembly with a host of different form and cable options.

CPA2155 mates to receptacles CRA2154 and CRA2963. The accessory sealing receptacle is CSA2432.



### Order as P/N: CPA2155-X-Y-Z



X = Form Code  
See Table 1

Y = Cable Code  
See Table 2

Z = Cable Length In Feet  
Use "0" If Ordering As Kit

Characteristic Impedance	Insulation Resistance	Frequency Range	Dielectric Withstand Voltage	Pressure Rating	Material
50 Ohms	5000 MΩ @500VDC	DC to 3 GHz (depends on cable selection)	1000V (RMS) 60 Hz	10,000 psi	316/316L Stainless Steel